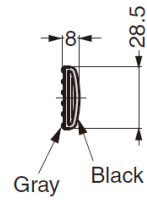
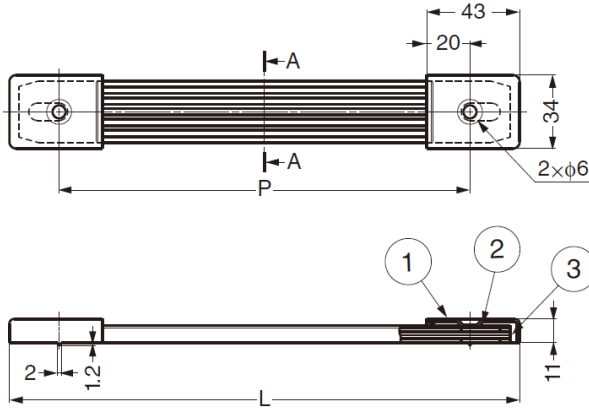


GPS Handle

Recommended Screw

- Countersunk head wood screw 5.5



A-A Cutaway view

No.	Part Name	Material	Finish/Colour
①	Cover	Steel	Black
②	Handle	PVC	Grey/Black
③	Reinforcing Plate	Steel	Yellow Zinc Chromate

Part No.	L	P
GPS-190	236	190
GPS-220	266	220